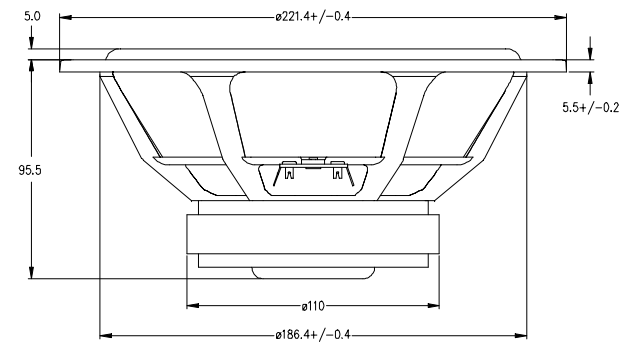
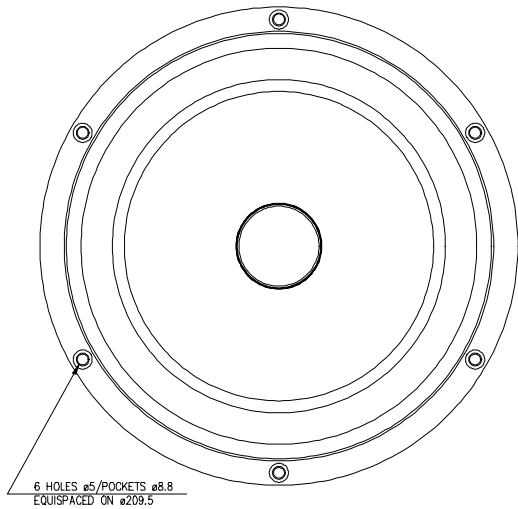




WOOFER

E0022

W22EX001



The W22EX002 is a 22cm (8") cone driver developed for use as a high fidelity woofer or woofer/midrange unit. The extremely stiff, yet light cone gives tremendous bass precision and midrange detail.

SPECIAL FEATURES:

Precision cast and surface treated magnesium cone coupled to a natural rubber surround showing no sign of midrange (edge) resonances.

Perfectly matched moving parts for a smooth, extended frequency response.

Heavy copper rings mounted above and below the T-shaped pole piece, to reduce non linear and modulation distortion and increase overload margin.

Large magnet system for good sensitivity and transient response. Copper plating of the top and bottom plates and a solid copper phase plug, which enhance the performance of the copper rings and improve heat conduction away from the pole piece.

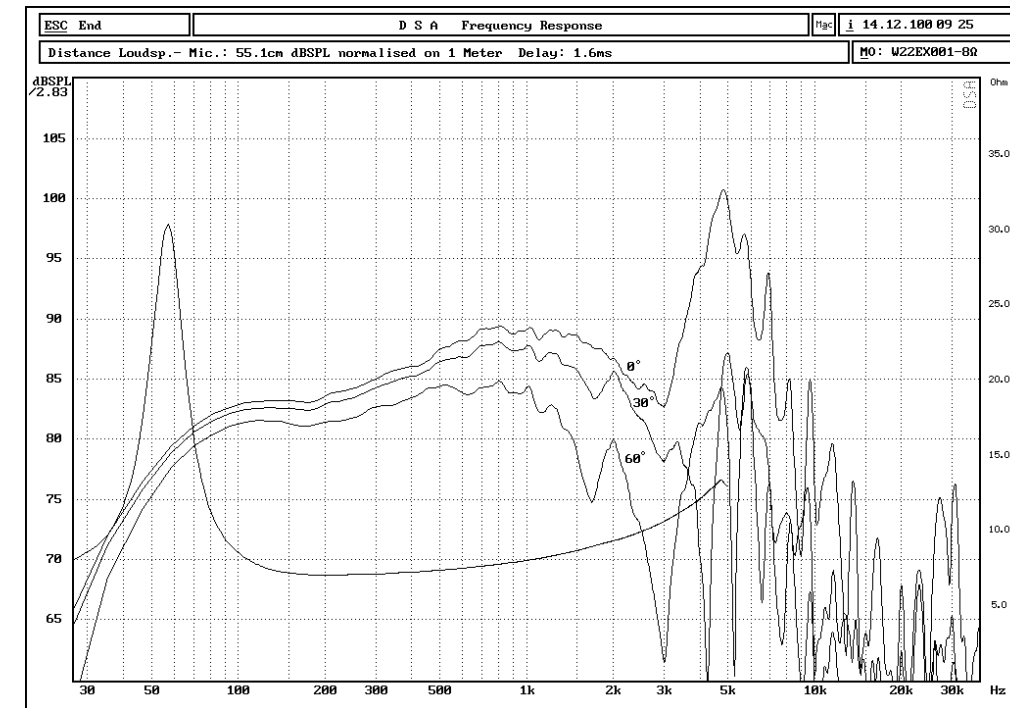
Gold plated terminals mounted on a glass fibre reinforced plate to reduce contact resistance and improve reliability.

Extremely stiff and stable injection moulded metal basket to keep the critical components in perfect alignment. Large windows in the basket both above and below the spider to reduce sound reflection, air flow noise and cavity resonance to a minimum.

NOMINAL IMPEDANCE	8 Ohms	VOICE COIL RESISTANCE	6.0 Ohms
RECOMMENDED FREQUENCY RANGE	30-2000 Hz	VOICE COIL INDUCTANCE (EQUIVALENT)	0.5 mH
SHORT TERM MAXIMUM POWER *	300 W	FORCE FACTOR	8.5 N/A
LONG TERM MAXIMUM POWER*	120 W	FREE AIR RESONANCE	27 Hz
CHARACTERISTIC SENSITIVITY (1W, 1m)	87.5 dB SPL	MOVING MASS	29 g
OPERATING POWER (96 dB SPL ,1 m)	7.1 W	AIR LOAD MASS IN IEC BAFFLE	2.0 g
		SUSPENSION COMPLIANCE	0.8 mm/N
VOICE COIL DIAMETER	39.0 mm	SUSPENSION MECHANICAL RESISTANCE	2.3 Ns/m
VOICE COIL HEIGHT	16.0 mm	EFFECTIVE PISTON AREA	220 sq.cm
AIR GAP HEIGHT	6.0 mm		
LINEAR COIL TRAVEL (p-p)	10.0 mm	VAS	76 Litres
MAXIMUM COIL TRAVEL (p-p)	21.0 mm	QMS	2.26
MAGNETIC GAP FLUX DENSITY	1.0 T	QES	0.44
MAGNET WEIGHT	0.64 Kg	QTS	0.37
TOTAL WEIGHT	2.20 Kg		

* IEC 268-5

Response curve recorded in anechoic chamber (Free-field, 4 pi radiation) with 0.5m microphone distance. The loudspeaker is mounted in a closed box of 20 l net. volume



Distortion on axis in % between 25 and 5 000 Hz at operating power.

