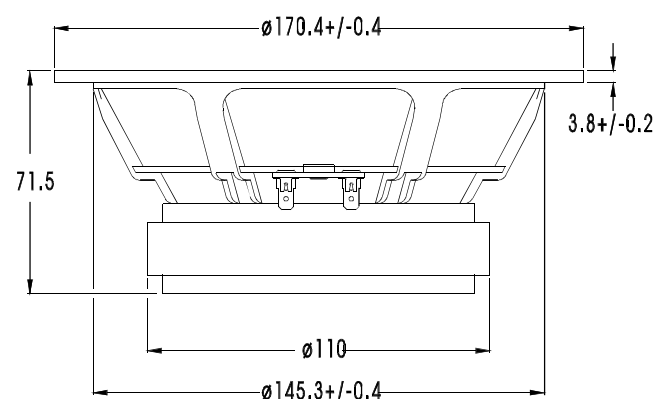
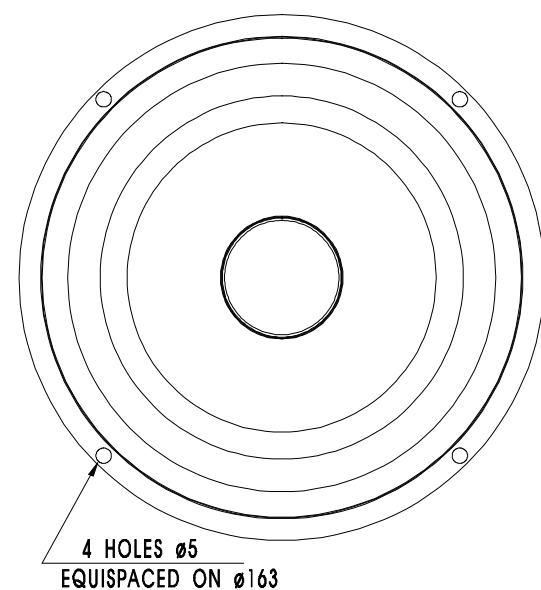


## WOOFER

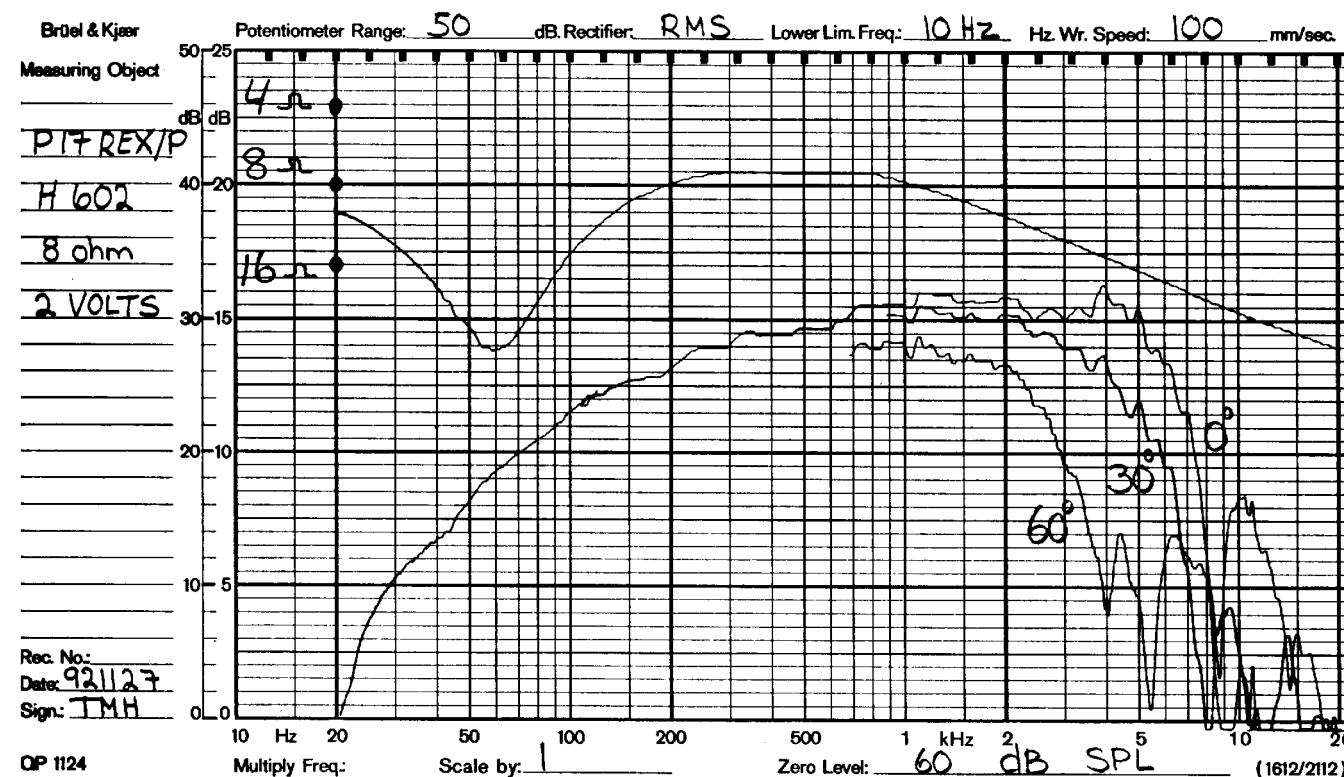
## P17REX/P



P17REX/P is a 6,5" High Fidelity woofer with an injection moulded metal chassis. A polypropylene based cone, a bullet shaped phase plug and a high loss rubber surround are carefully matched to each other, resulting in an outstandingly smooth frequency response. The unit has a high power handling capacity due to its relatively large voice coil diameter. The magnet system has a T-shaped cross section of the pole piece for low modulation distortion. The phase plug reduces compression due to temperature variations in the voice coil, eliminates resonances that would occur in the volume between the dust cap and the pole piece and increases the long term power handling capacity. A large magnet system provides high efficiency and low Q.

### NOTES

Response curve recorded in anechoic chamber (Free-field, 4 pi radiation) with 0.5m microphone distance. The loudspeaker is mounted in a closed box of 12 l net volume.



NOMINAL IMPEDANCE	8 Ohms	VOICE COIL RESISTANCE	6.1 Ohms
RECOMMENDED FREQUENCY RANGE	40-3000 Hz	VOICE COIL INDUCTANCE (EQUIVALENT)	0.6 mH
SHORT TERM MAXIMUM POWER *	250 W	FORCE FACTOR	8.5 N/A
LONG TERM MAXIMUM POWER *	100 W	FREE AIR RESONANCE	35 Hz
CHARACTERISTIC SENSITIVITY (1W,1m)	89 dB SPL	MOVING MASS	14.5 g
OPERATING POWER (96 dB SPL ,1 m)	5.0 W	AIR LOAD MASS IN IEC BAFFLE	1.0 g
		SUSPENSION COMPLIANCE	1.4 mm/m
VOICE COIL DIAMETER	39 mm	SUSPENSION MECHANICAL RESISTANCE	2.0 Ns/m
VOICE COIL HEIGHT	12 mm	EFFECTIVE PISTON AREA	120 sq.cm
AIR GAP HEIGHT	6.0 mm		
LINEAR COIL TRAVEL (p-p)	6.0 mm		
MAXIMUM COIL TRAVEL (p-p)	19 mm	VAS	26.9 Litres
MAGNETIC GAP FLUX DENSITY	1.0 T	QMS	1.70
MAGNET WEIGHT	0.64 Kg	QES	0.29
TOTAL WEIGHT	1.81 Kg	QTS	0.25

\* = IEC 268-5