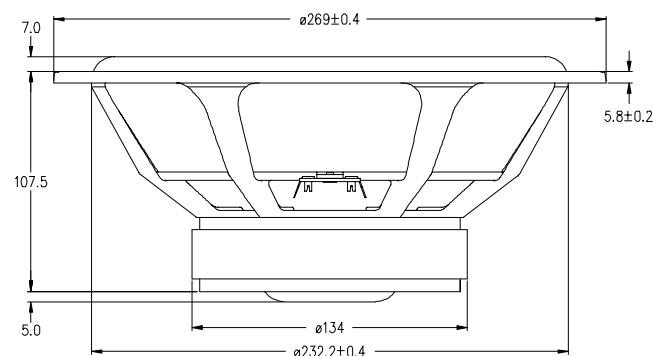
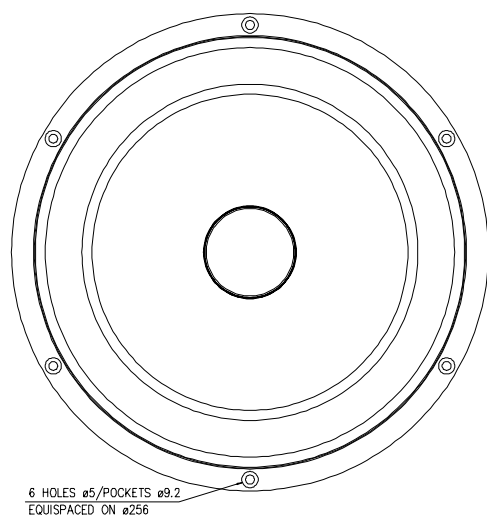


WOOFER

L26RFX/P



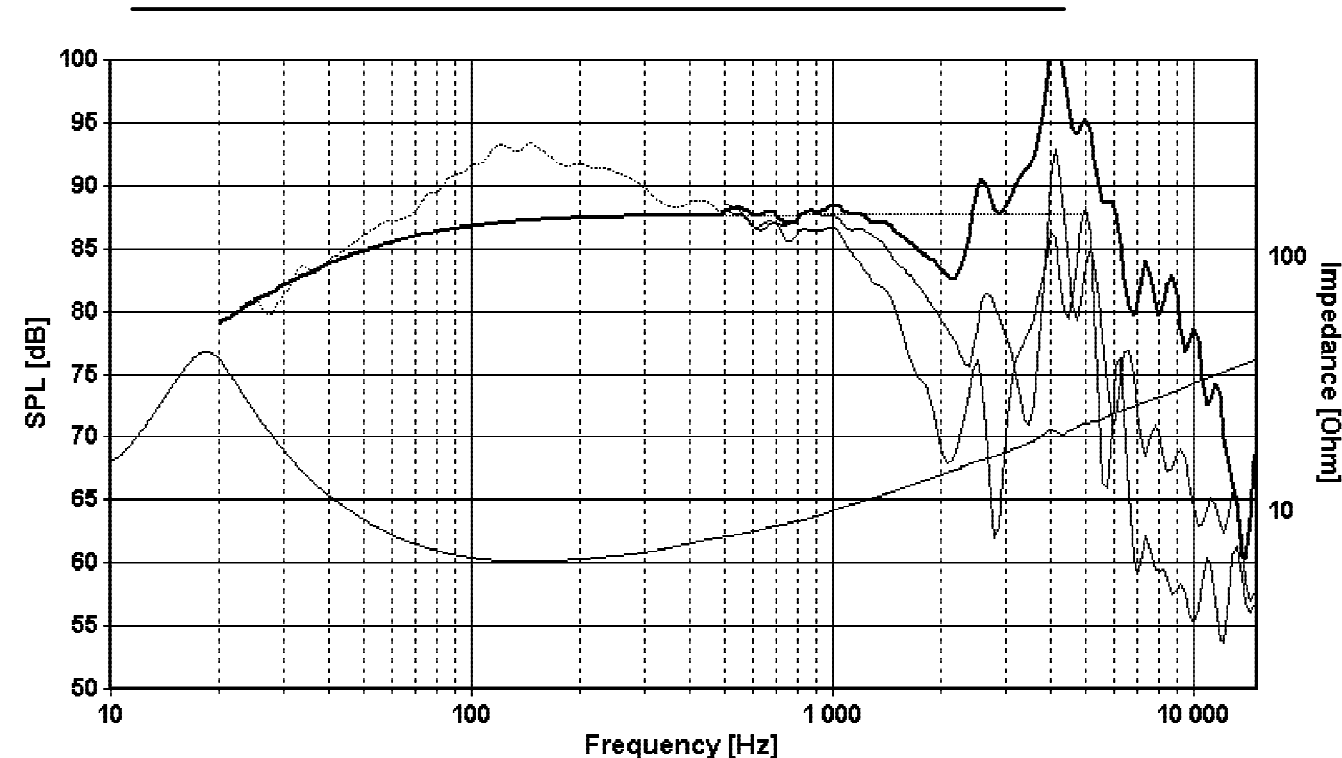
6 HOLES ø5/POCKETS ø9.2
EQUISPACED ON ø256

The L26RN4X/P is a 10" cone driver with an extremely stiff and stable injection moulded metal basket to keep the critical components in perfect alignment. Large windows in the basket both above and below the spider reduce sound reflection, air flow noise and cavity resonance to a minimum. The extremely stiff aluminum cone gives tremendous bass precision. The cone and the low loss rubber surround show no sign of the familiar cone edge resonance and distortion associated with soft cones. On the other hand, the cone break up modes at higher frequencies call for special attention in the crossover design work.

A 2" diameter high temperature voice coil with black anodized aluminum coil former gives high power handling and reduced power compression. A large magnet system gives good sensitivity and transient response. The phase plug reduces compression due to temperature variations in the voice coil, eliminates resonances that would occur in the volume between the dust cap and the pole piece and increases the power handling capacity.

NOTES

The frequency responses below show measured free field sound pressure in 0, 30, and 60 degrees angle using a standard baffle (IEC 268-5). Input 2.83 Volts RMS, microphone distance 1m. The solid line below 500 Hz is a calculated response for an infinite baffle based on the parameters given for this specific driver. The impedance is measured in free air without baffle.



| | | | |
|------------------------------------|------------|------------------------------------|------------|
| NOMINAL IMPEDANCE | 8 Ohms | VOICE COIL RESISTANCE | 6.3 Ohms |
| RECOMMENDED FREQUENCY RANGE | 20-1000 Hz | VOICE COIL INDUCTANCE (EQUIVALENT) | 1.48 mH |
| SHORT TERM MAXIMUM POWER * | 300 W | FORCE FACTOR | 10.7 N/A |
| LONG TERM MAXIMUM POWER * | 125 W | FREE AIR RESONANCE | 20 Hz |
| CHARACTERISTIC SENSITIVITY (1W,1m) | 87 dB SPL | MOVING MASS | 58 g |
| | | AIR LOAD MASS IN IEC BAFFLE | 3.5 g |
| | | SUSPENSION COMPLIANCE | 1.1 mm/N |
| VOICE COIL DIAMETER | 51 mm | SUSPENSION MECHANICAL RESISTANCE | 3.18 Ns/m |
| VOICE COIL HEIGHT | 20 mm | EFFECTIVE PISTON AREA | 330 sq.cm |
| AIR GAP HEIGHT | 6.0 mm | | |
| LINEAR COIL TRAVEL (p-p) | 14 mm | VAS | 166 Litres |
| MAXIMUM COIL TRAVEL (p-p) | 35 mm | QMS | 2.30 |
| MAGNETIC GAP FLUX DENSITY | 1.23 T | QES | 0.40 |
| MAGNET WEIGHT | 3.0 Kg | QTS | 0.34 |
| TOTAL WEIGHT | 4.05 Kg | | |

* = IEC 268-5