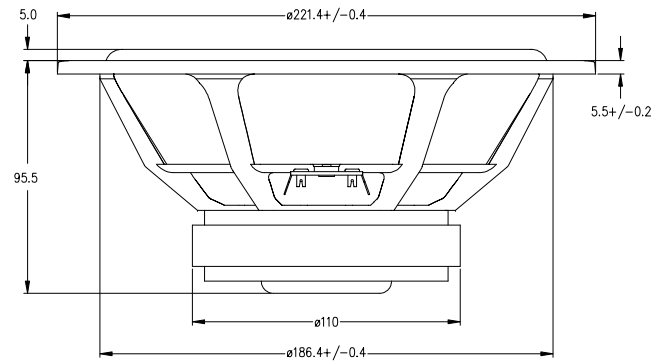
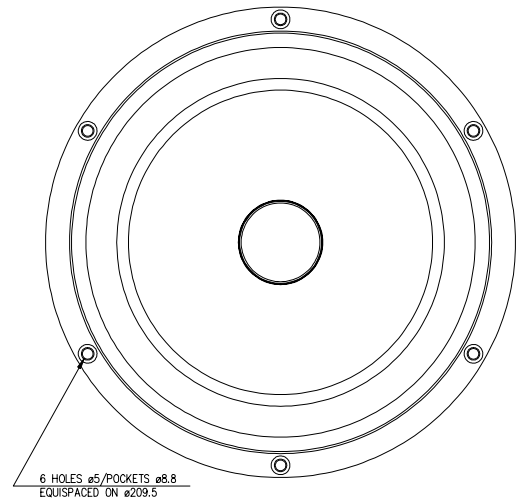


WOOFER

L22RN4X/P

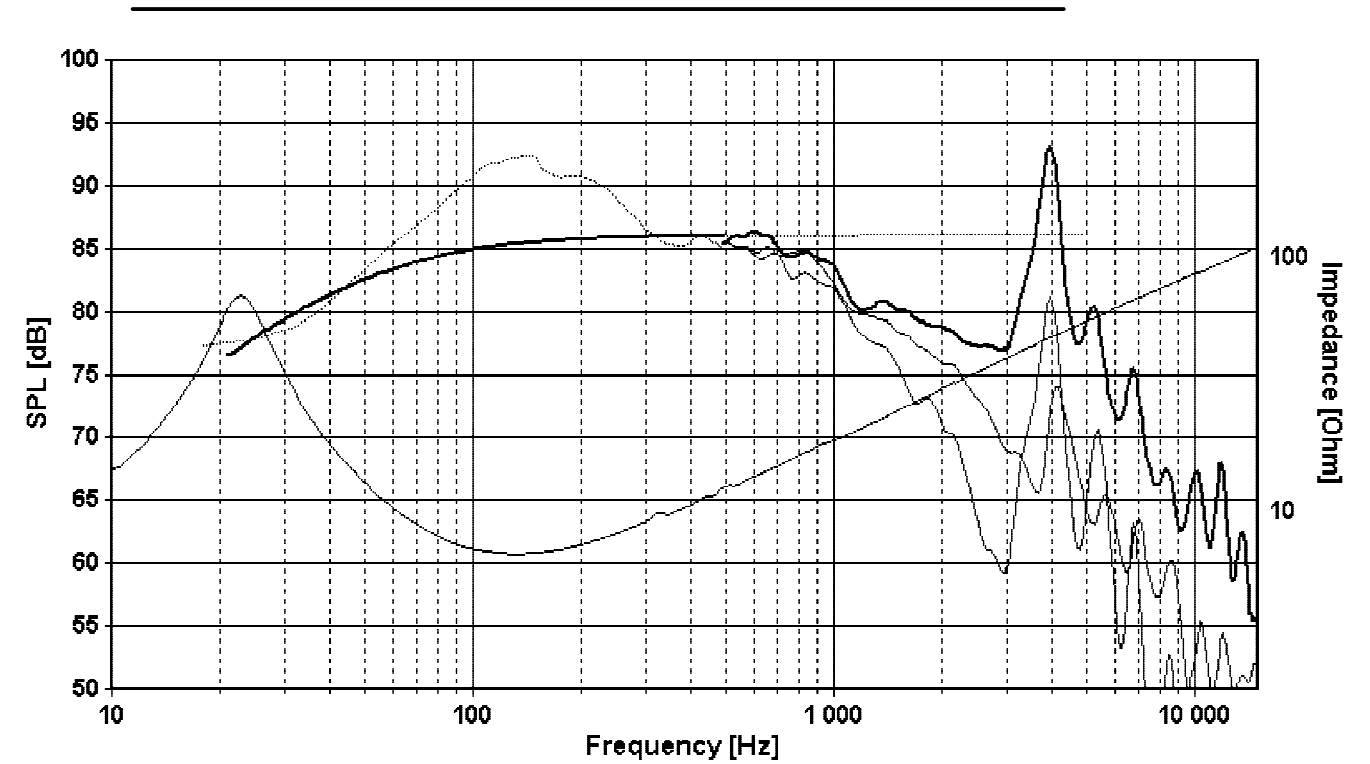


The L22RN4X/P is an 8" cone driver with an extremely stiff and stable injection moulded metal basket to keep the critical components in perfect alignment. Large windows in the basket both above and below the spider reduce sound reflection, air flow noise and cavity resonance to a minimum.

The extremely stiff aluminum cone gives tremendous bass precision. The cone and the low loss rubber surround show no sign of the familiar cone edge resonance and distortion associated with soft cones. On the other hand, the cone break up modes at higher frequencies call for special attention in the crossover design work. A 4-layer, extremely long, high temperature voice coil wound on an aluminum voice coil former gives a high power handling capacity. The phase plug reduces compression due to temperature variations in the voice coil, eliminates resonances that would occur in the volume between the dust cap and the pole piece and increases the power handling capacity. The large magnet system provides reasonably high efficiency and low Q.

NOTES

The frequency responses below show measured free field sound pressure in 0, 30, and 60 degrees angle using a standard baffle (IEC 268-5). Input 2.83 Volts RMS, microphone distance 1m. The solid line below 500 Hz is a calculated response for an infinite baffle based on the parameters given for this specific driver. The impedance is measured in free air without baffle.



NOMINAL IMPEDANCE	8 Ohms	VOICE COIL RESISTANCE	6.1 Ohms
RECOMMENDED FREQUENCY RANGE	20-1000 Hz	VOICE COIL INDUCTANCE (EQUIVALENT)	3.5 mH
SHORT TERM MAXIMUM POWER *	300 W	FORCE FACTOR	10.7 N/A
LONG TERM MAXIMUM POWER *	125 W	FREE AIR RESONANCE	23 Hz
CHARACTERISTIC SENSITIVITY (1W,1m)	86 dB SPL	MOVING MASS	43 g
		AIR LOAD MASS IN IEC BAFFLE	1.9 g
		SUSPENSION COMPLIANCE	1.1 mm/N
VOICE COIL DIAMETER	39 mm	SUSPENSION MECHANICAL RESISTANCE	1.8 Ns/m
VOICE COIL HEIGHT	20 mm	EFFECTIVE PISTON AREA	220 sq.cm
AIR GAP HEIGHT	6.0 mm		
LINEAR COIL TRAVEL (p-p)	14 mm	VAS	72 Litres
MAXIMUM COIL TRAVEL (p-p)	21 mm	QMS	3.62
MAGNETIC GAP FLUX DENSITY	0.9 T	QES	0.35
MAGNET WEIGHT	0.64 Kg	QTS	0.32
TOTAL WEIGHT	2.2 Kg		

* = IEC 268-5